



BEAVER 500KG - 10T 3S CHAIN BLOCK

Beaver 3S 500kg, 1T, 2T, 3T, 5T and 10T Chain Blocks are heavy duty industrial blocks designed for heavy lifting and a variety of applications in mining, heavy industrial, major construction works and off shore exploration.

HEAVY DUTY INDUSTRIAL CHAIN BLOCKS

- All steel construction- impact resistant covers, the provide durability and protection
- Double pawl and double guide rollers for enhance performance and reliability
- Unique curling design- This feature enables the hand chain to successfully feed directly into the wheel sprocket from many directions and angles
- Grade 80 load chain – black oxide coating for durability
- Forged alloy steel hooks
- Sealed roller bearings



Lifting



Extraction



Lowering



Manufactured to AS 1418.2 and exceeds standards

Colour Coded to match International Lifting Standards

QR Code on ID Tag

Suitable for Underground Mining (non-conductive materials)

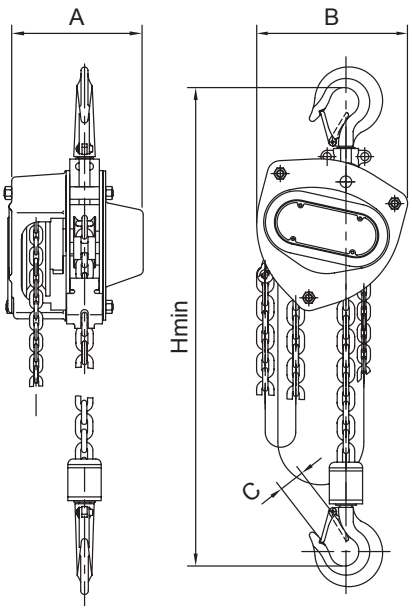
Top & Bottom Hook Ball Bearings

Comprehensive Spare Parts Range & Technical Support

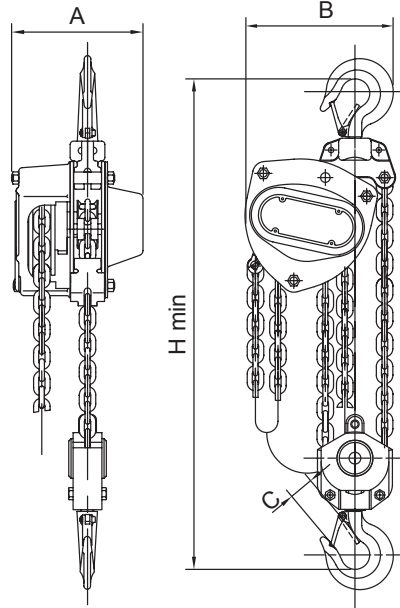


BEAVER 800KG - 9T 3S CHAIN BLOCK

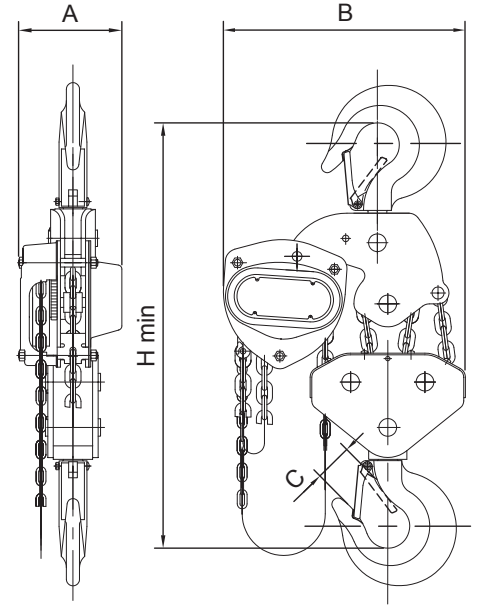
Beaver 3S 500kg, 1T, 2T, 3T, 5T and 10T Chain Blocks are heavy duty industrial blocks designed for heavy lifting and a variety of applications in mining, heavy industrial, major construction works and off shore exploration.



500kg, 1 & 2 tonne



3 & 5 tonne



10 tonne

| Product Code | 503053 | 503103 | 503203 | 503303 | 503503 | 508603 |
|-------------------------------------------|--------|--------|--------|--------|--------|--------|
| Rated capacity (kg) | 500 | 1000 | 2000 | 3000 | 5000 | 10000 |
| Colour | White | Violet | Green | Yellow | Red | Orange |
| Standard Lift (m) | 3 | 3 | 3 | 3 | 3 | 3 |
| Fall of Chain | 1 | 1 | 1 | 2 | 2 | 4 |
| Efforts to lift full load (N) | 240 | 250 | 335 | 335 | 363 | 380 |
| Net Weight (kg) | 11 | 12.5 | 19.5 | 29 | 41.3 | 78.5 |
| Load Chain Diameter (mm) | 5x15 | 6x18 | 8x24 | 8x24 | 9x30 | 9x30 |
| Extra weight per metre of extra lift (kg) | 0.55 | 0.79 | 1.38 | 2.76 | 4.4 | 8.8 |
| Headroom (H) | 345 | 376 | 470 | 565 | 688 | 765 |
| Dimension (mm) | | | | | | |
| A | 132 | 151 | 175 | 176 | 189 | 189 |
| B | 148 | 172 | 210 | 230 | 280 | 463 |
| C | 28 | 32 | 36 | 46 | 46 | 57 |